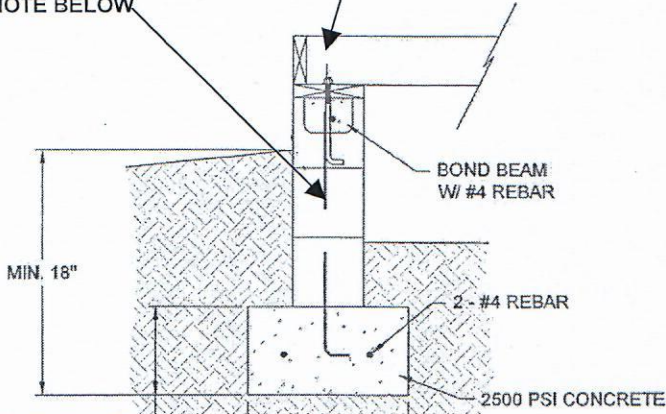


# MINIMUM FOUNDATION REQUIREMENTS

ANCHOR BOLTS - 6' ON CENTER AND LOCATED WITHIN 12" OF ENDS OF PLATES.  
 BOLTS SHALL BE AT LEAST 1/2" IN DIAMETER AND SHALL EXTEND A MIN. OF 7" INTO MASONRY OR CONCRETE

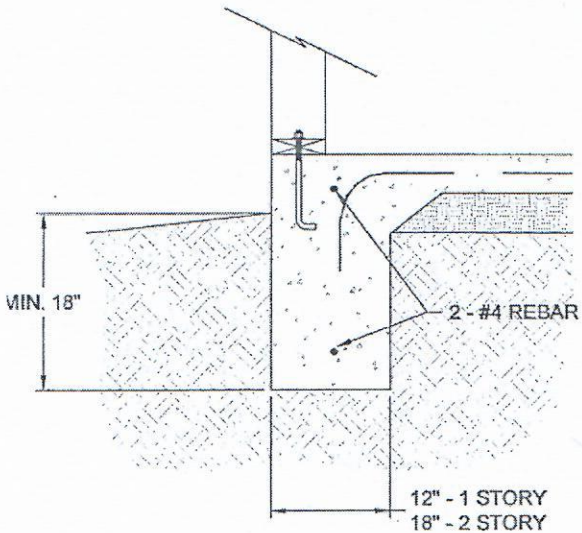
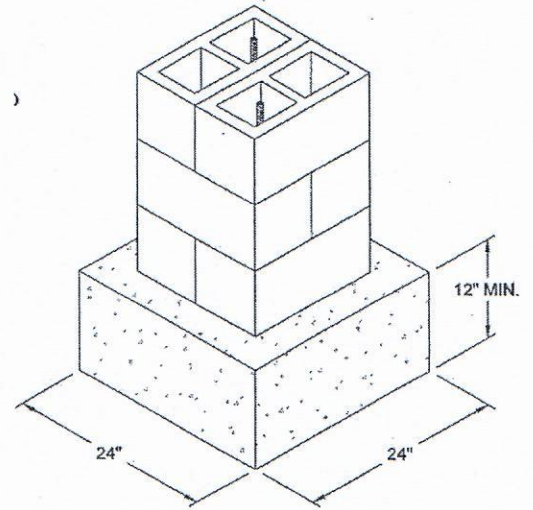
#4 REBAR UPRIGHTS EVERY 4 FEET  
 \*SEE NOTE BELOW



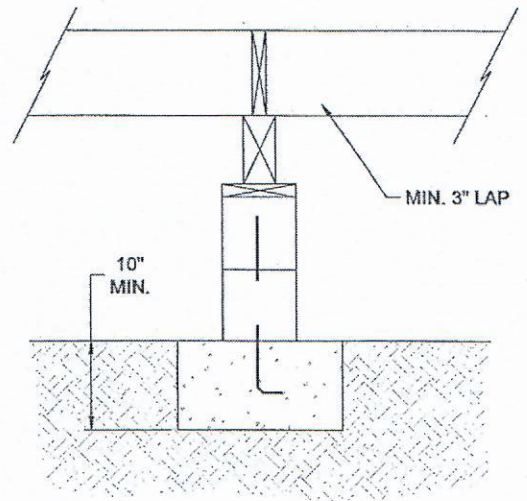
10" -- 1 STORY LIGHT FRAME  
 12" -- 2 STORY LIGHT FRAME  
 12" 1-2 STORY MASONRY OR LOG  
 OVER 2 STORY REQUIRES ENGINEERING

18" - 1 STORY LIGHT FRAME  
 24" - 2 STORY LIGHT FRAME  
 24" - 1-2 STORY MASONRY & LOG  
 OVER 2 STORY REQUIRES ENGINEERING

## TYPICAL PIER



\*NOTE:



UPRIGHTS REQUIRE 90° BEND ON LOWER END WITH MINIMUM 3" PAST BEND  
 PRE-BENT UPRIGHTS TO BE ON JOB SITE AT TIME OF INSPECTION.

